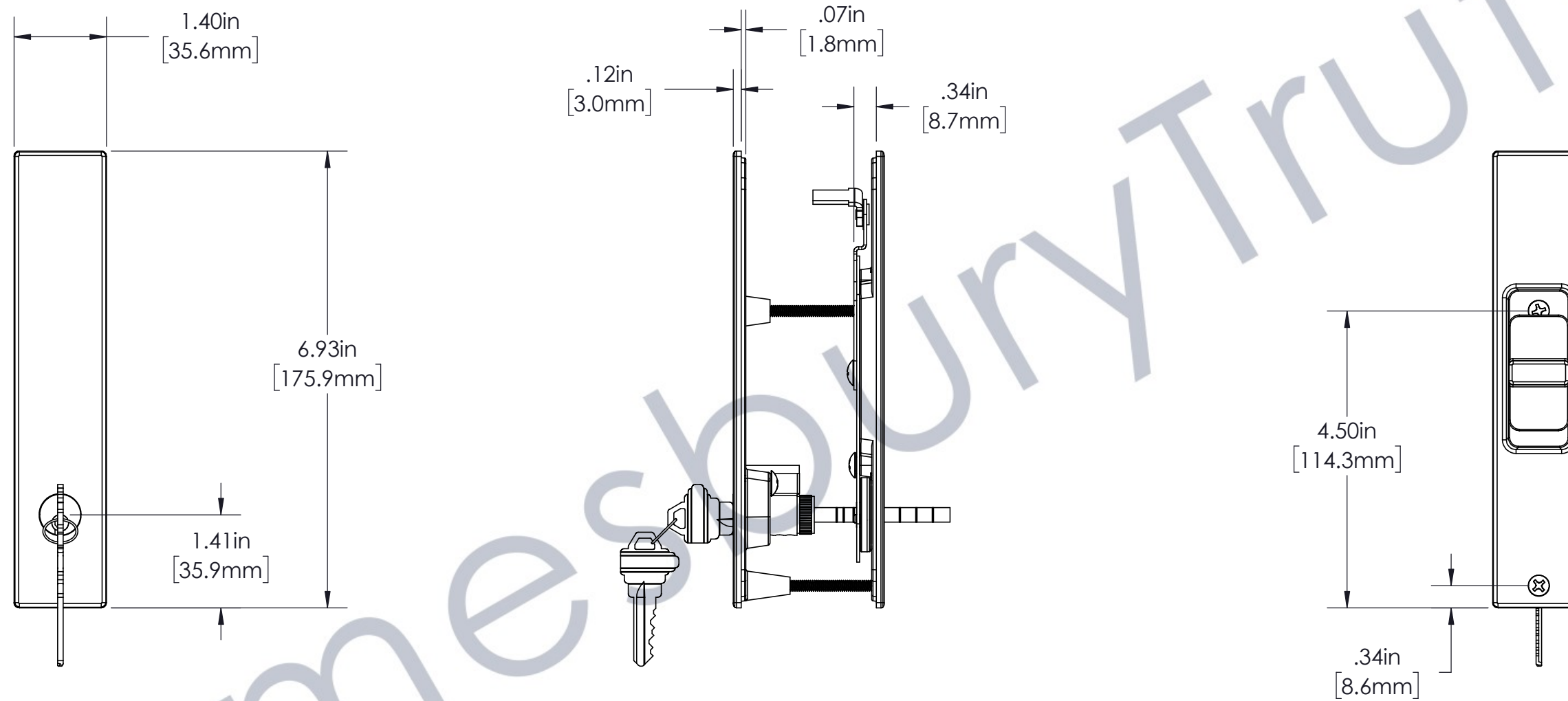


REV	LOC	DESCRIPTION	DATE	EC #	BY
1		RELEASED	9/19/2022		TF



AmesburyTruth

CUSTOMER PAGE

AmesburyTruth™ Engineered Solutions. Trusted Results.	INTERPRET PER: ASME Y14.5M-2009 UNITS: INCH	DRAWING TITLE: 40.84.XX.321 CUSTOMER PAGE	
	THIRD ANGLE PROJECTION 	SCALE: 1:2 SHEET 1 OF 1	
THE INFORMATION CONTAINED IN THIS DRAWING IS CONFIDENTIAL AND PROPRIETARY. THIS DRAWING IS NOT TO BE COPIED OR REPRODUCED IN WHOLE OR IN PART WITHOUT EXPRESS WRITTEN PERMISSION.		DRAWING #: 40.84.XX.321 CUSTOMER PAGE	